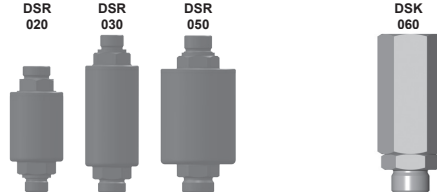




RT FILTER TECHNIK

Inline Filter DSR/DSK

Flow direction from in to out
up to 70 l/min, up to 250 bar



1. TECHNICAL SPECIFICATIONS

1.1 FILTER HOUSING

Design

The RT inline filter for screw connection in the line offers a broad range of possible connections and applications. This version is designed for use up to 250 bar. Perfect as a protective filter in all areas of system, even for lifetime use.

The filter housings are designed in accordance with international regulations. They consist of a filter housing and a fixed filter element.

Standard equipment

- without bypass valve

1.2 FILTER ELEMENTS

RT filter elements are validated and their quality is constantly monitored according to the following standards: ISO 2941, ISO 2942, ISO 2943, ISO 3968, ISO 11170, ISO 16889

Filter elements are available with the following pressure stability values:

Wire mesh (WCO): 6 bar

Other filtration ratings on request.

1.3 FILTER SPECIFICATIONS

Nominal pressure	Up to 250 bar
Temperature range	-30 °C to +100 °C
Material of filter housing	Spheroidal graphite iron/ aluminium
Material	DSR: steel DSK: aluminium or steel

1.4 SEALS

NBR (= Perbunan)

1.5 MOUNTING

Inline filter

1.6 SPECIAL MODELS AND ACCESSORIES

- on request

1.7 SPARE PARTS

See Original Spare Parts List

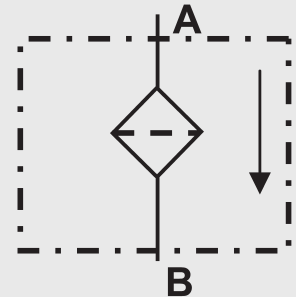
1.8 COMPATIBILITY WITH HYDRAULIC FLUIDS ISO 2943

- Hydraulic oils H to HLPD DIN 51524
- Lubrication oils DIN 51517, API, ACEA, DIN 51515, ISO 6743
- Compressor oils DIN 51506
- Biodegradable operating fluids VDMA 24568 HETG, HEES, HEPG

1.9 IMPORTANT INFORMATION

- Filter housings must be earthed.

Symbol



2. MODEL CODE (also order example)

DSR 050 WCO 080 J S IHOG N 1 /-XXX

2.1 FILTER ASSEMBLY, DSR

Filter type

DSR

Size

020, 030, 050

Filter material

WCO Wire mesh

Filtration rating in μm

WCO 040, 060, 080

Setting range

J 135 bar

Flow direction

S one side
B both sides

Type and size of port – Inlet

Type	Port	Size of filter		
		020	030	050
IB	M22x1.5 external thread	●		
IG	M26x1.5 external thread		●	
IH	M30x2 external thread			●

others on request

Type and size of port – Outlet

Type	Port	Size of filter		
		020	030	050
OD	M22x1.5 external thread		●	
OG	M26x1.5 external thread	●		●

others on request

Seals

N NBR (Perbunan)
V FKM

Modification number

X the latest version is always supplied

Supplementary details

2.2 REPLACEMENT ELEMENT

It is not possible to order replacement elements for the DSR series: these filters are only available as filter assemblies!

MODEL CODE (also order example)

DSK 060 WCO 080 K S IAOA N 1 /-XXX

2.3 FILTER ASSEMBLY, DSK

Filter type

DSK

Size

060

Filter material

WCO Wire mesh

Filtration rating in μm

WCO 040, 060, 080

Setting range

K 160 bar (aluminium housing)
M 250 bar (steel housing)

Flow direction

S one side
B both sides

Type and size of port – Inlet

Type	Connection	Filter size 060
IA	M24x1.5 external thread, 16S	●
IB	M22x1.5 external thread, 15L	●
IJ	G1/8 internal thread	●
IK	G3/8 internal thread	●

others on request

Type and size of port – Outlet

Type	Connection	Filter size 060
OA	M22x1.5 internal thread	●
OJ	G1/8 internal thread	●
OK	G3/8 internal thread	●

others on request

Seals

N NBR (Perbunan)
V FKM

Modification number

X the latest version is always supplied

Supplementary details

2.4 REPLACEMENT ELEMENT

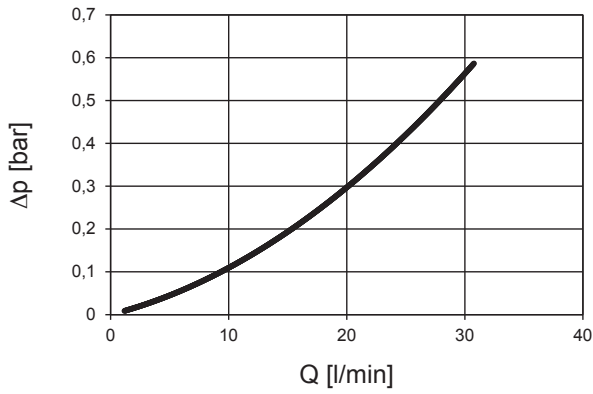
It is not possible to order replacement elements for the DSK series: these filters are only available as filter assemblies!

3. FILTER CALCULATION / DIMENSIONING

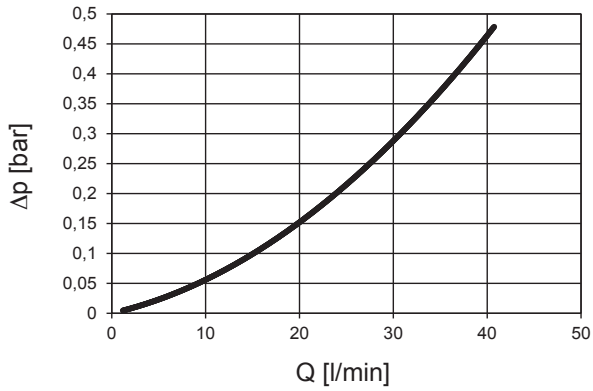
3.1 PERFORMANCE CURVES FOR FILTER ASSEMBLY

The total pressure drop graphs apply to mineral oil with a density of 0.86 kg/dm^3 and a kinematic viscosity of $30 \text{ mm}^2/\text{s}$.

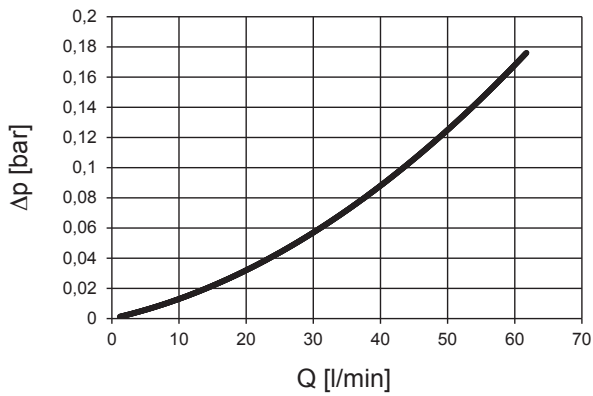
DSR 020



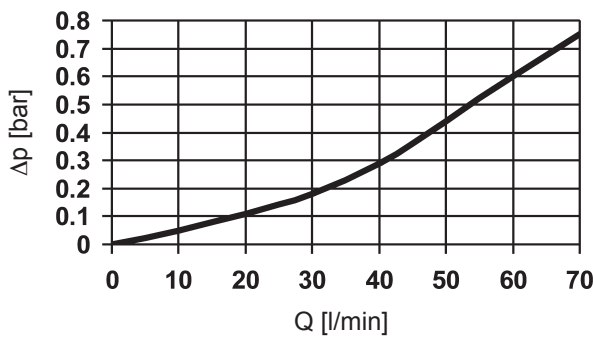
DSR 030



DSR 050



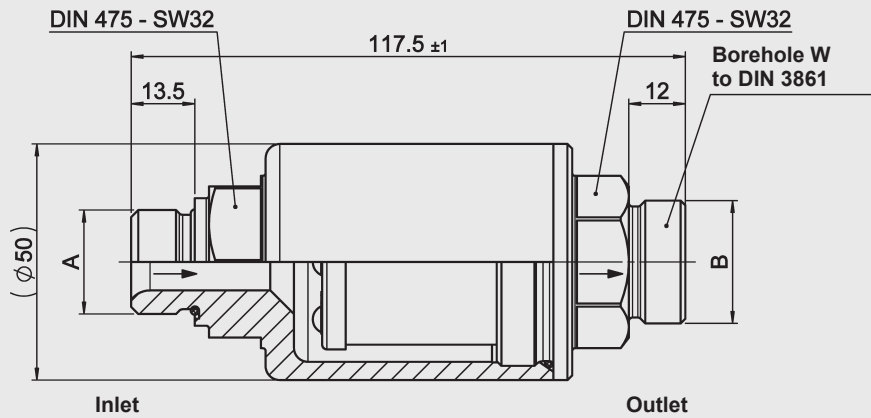
DSK 060



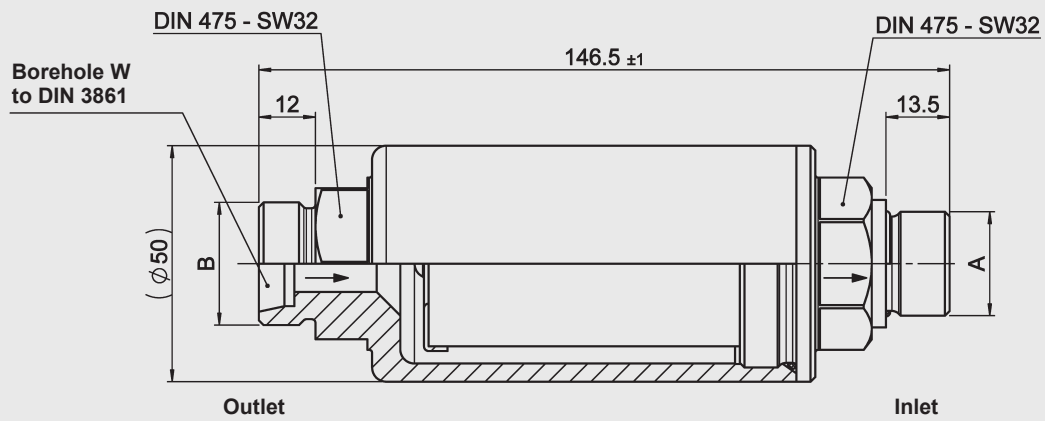
4. DIMENSIONS

4.1 DSR

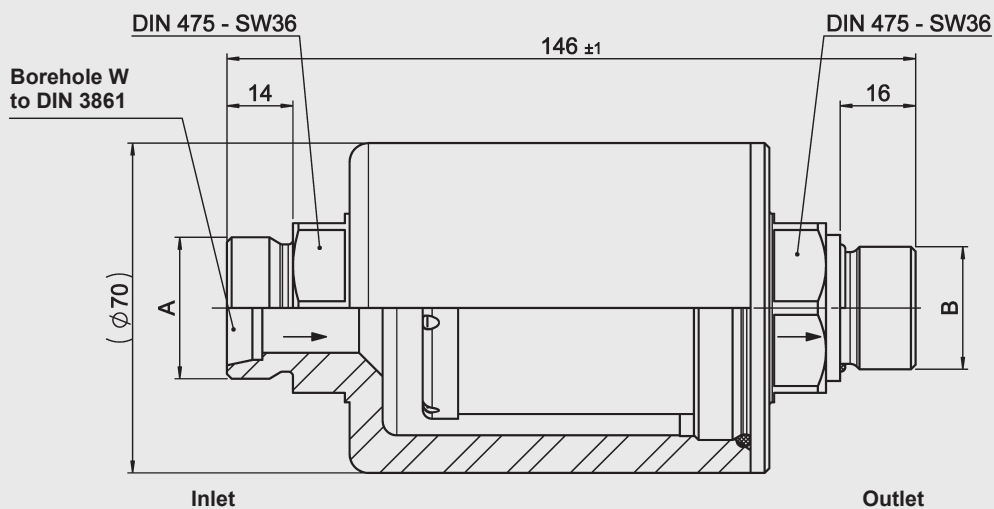
DSR 020



DSR 030



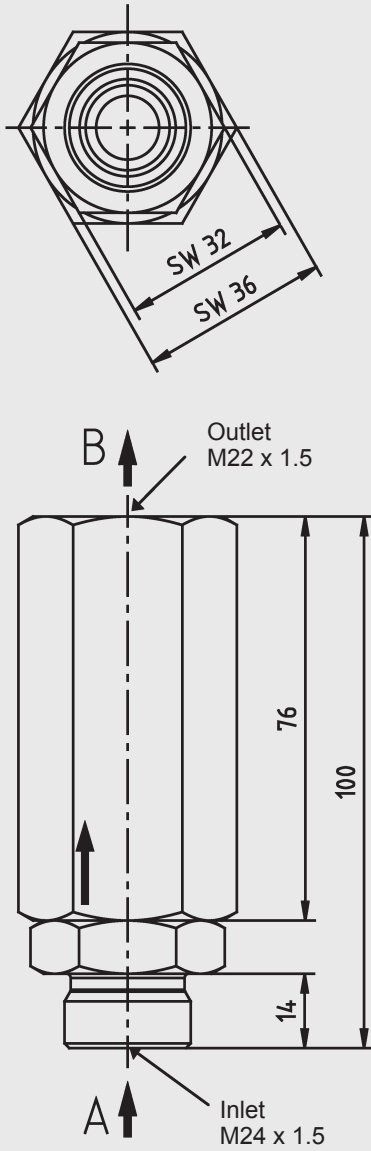
DSR 050



DSR	A – Inlet	B – Outlet	Weight incl. element [kg]
020	See item 2.1		approx. 0.56
030			approx. 0.80
050			approx. 1.62

DIMENSIONS

4.2 DSK



NOTE

The information in this brochure relates to the operating conditions and applications described. For applications or operating conditions not described, please contact the relevant technical department. All technical details are subject to change without notice.

RT-Filtertechnik GmbH
Postfach 21 60
D-88011 Friedrichshafen
Tel.: +49 7541 508-0
Fax: +49 7541 508-101
e-mail: sales@rt-filter.de
Internet: www.rt-filter.de